

2035130 EASY ANCHOR

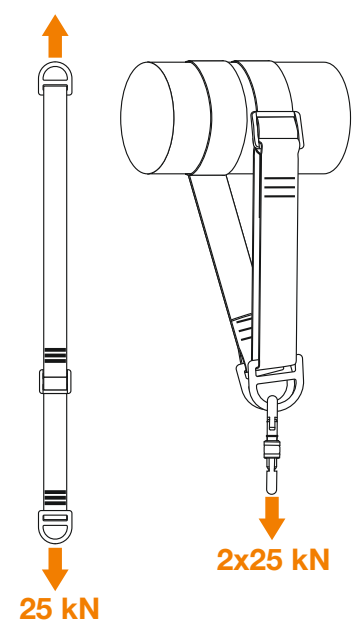
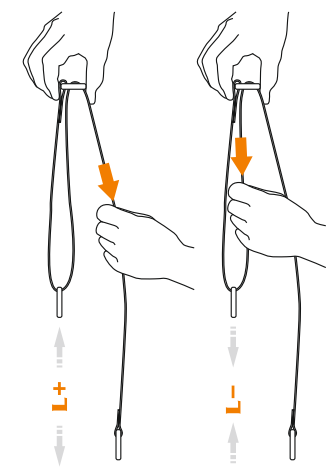
TECHNICAL SHEET

Adjustable high strength webbing anchor constructed from 45 mm polyamide webbing with fixed steel rings on the ends.

Adjustable from 80 to 130 cm.

2017 UPDATE: meets ANSI Z359.1 standard for Anchorage Devices.

- ROPE ACCESS
- TOWERS/INDUSTRY
- ROOFS
- PLATFORMS



Ref.	Product name Nombre del producto	Weight Peso		Strength Resistencia	CE		ANSI
		g	oz	kN	EN 354	EN 795/B	Z359.1
2035130	EASY ANCHOR 80-130 cm	410	14.5	25	•	•	•